

Stress Testing of Research Systems

Ron Hood, Manager Voice/Data Operations
rhoon@fhcrc.org / 206.667.5063

Recent Painful Experiences & How I Hope to Avoid Repeating Them in the Future

Ron Hood, Manager Voice/Data Operations

rhood@fhcrc.org / 206.667.5063

Hutch Background

- Seattle, Washington
- ~2,500 Faculty & Staff
- 12 buildings on a 13 acre campus
- Stand-alone institution (not part of a university or hospital)
- Research only – no clinical care

Hutch IT Background

- Decentralized – 30 different IT groups.
- “Center IT” is the largest @ ~60 FTE.
- Housed in Administration division.
- Desktop, File/Print, and Application support for Admin & Clinical Research divisions.
- Project Management support for Center IT.
- Network, Information Security, and email for entire center.

Ron's Background

- Has-been network geek.
- Newbie @ information security.
- Minimal knowledge of servers, desktops, software development, project management, and scientific applications.
- Responsible for voice, network, information security, and physical infrastructure.

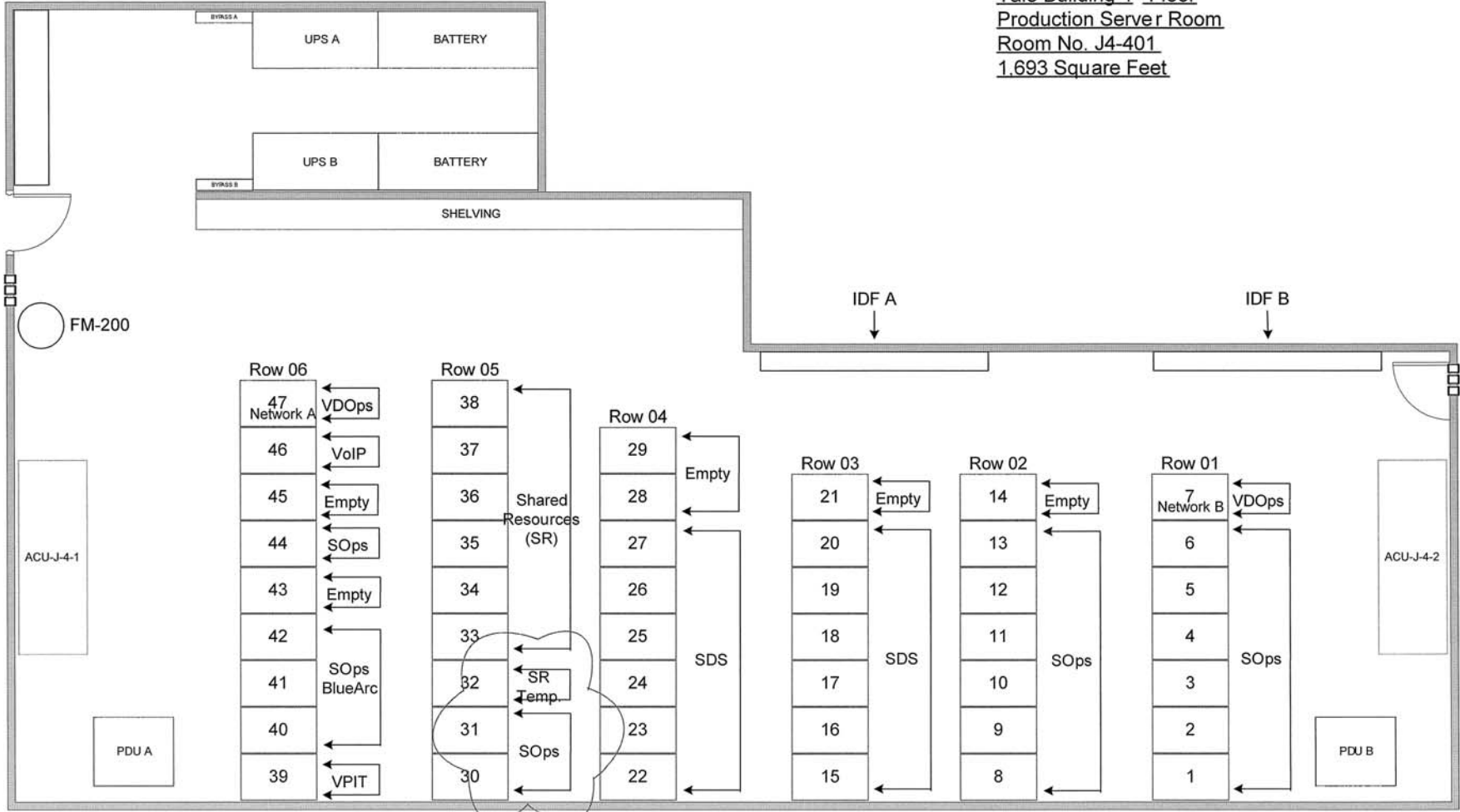
Server Rooms: HVAC

NYC BRIITE – May 4, 2006

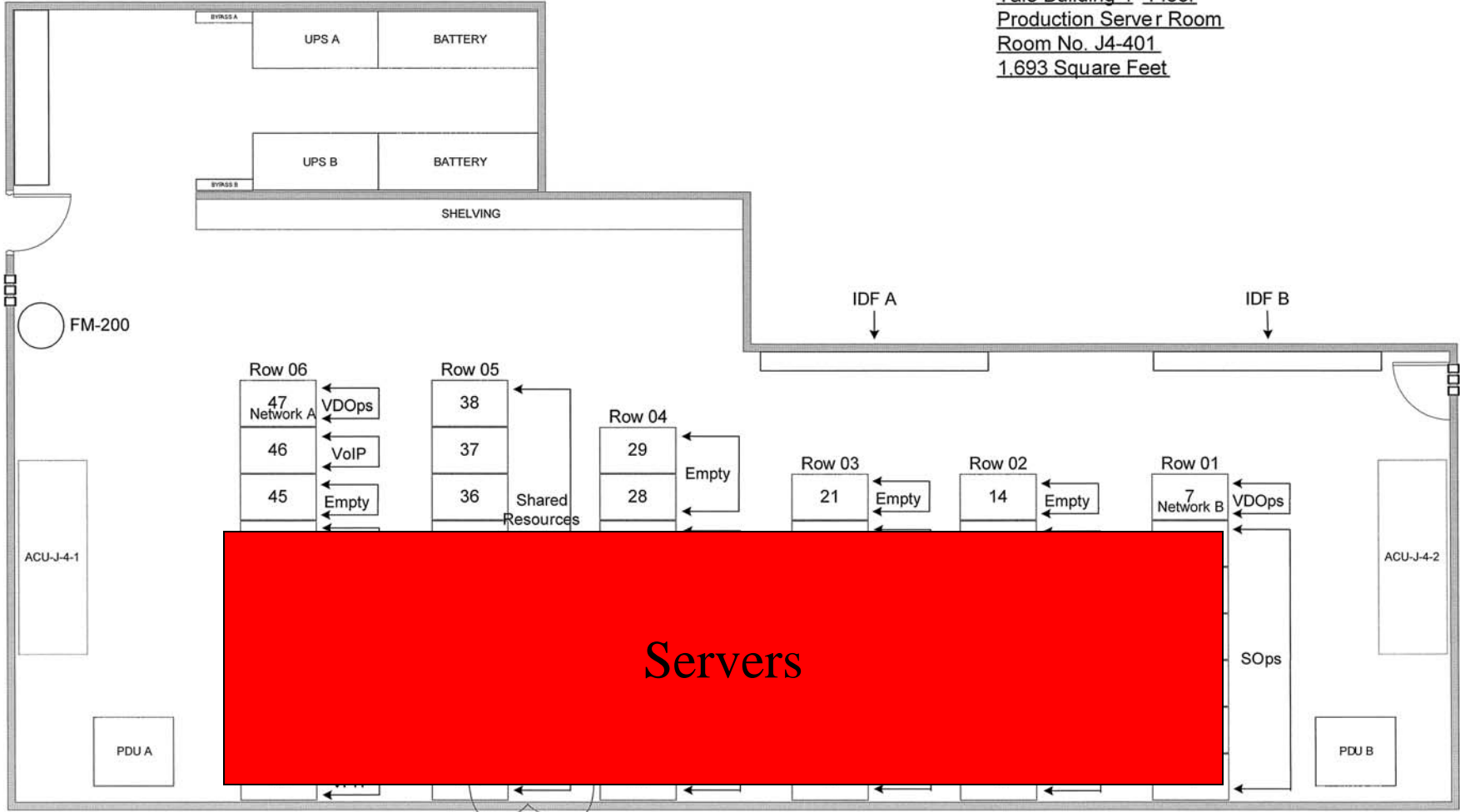
FRED HUTCHINSON
CANCER RESEARCH CENTER

A LIFE OF SCIENCE

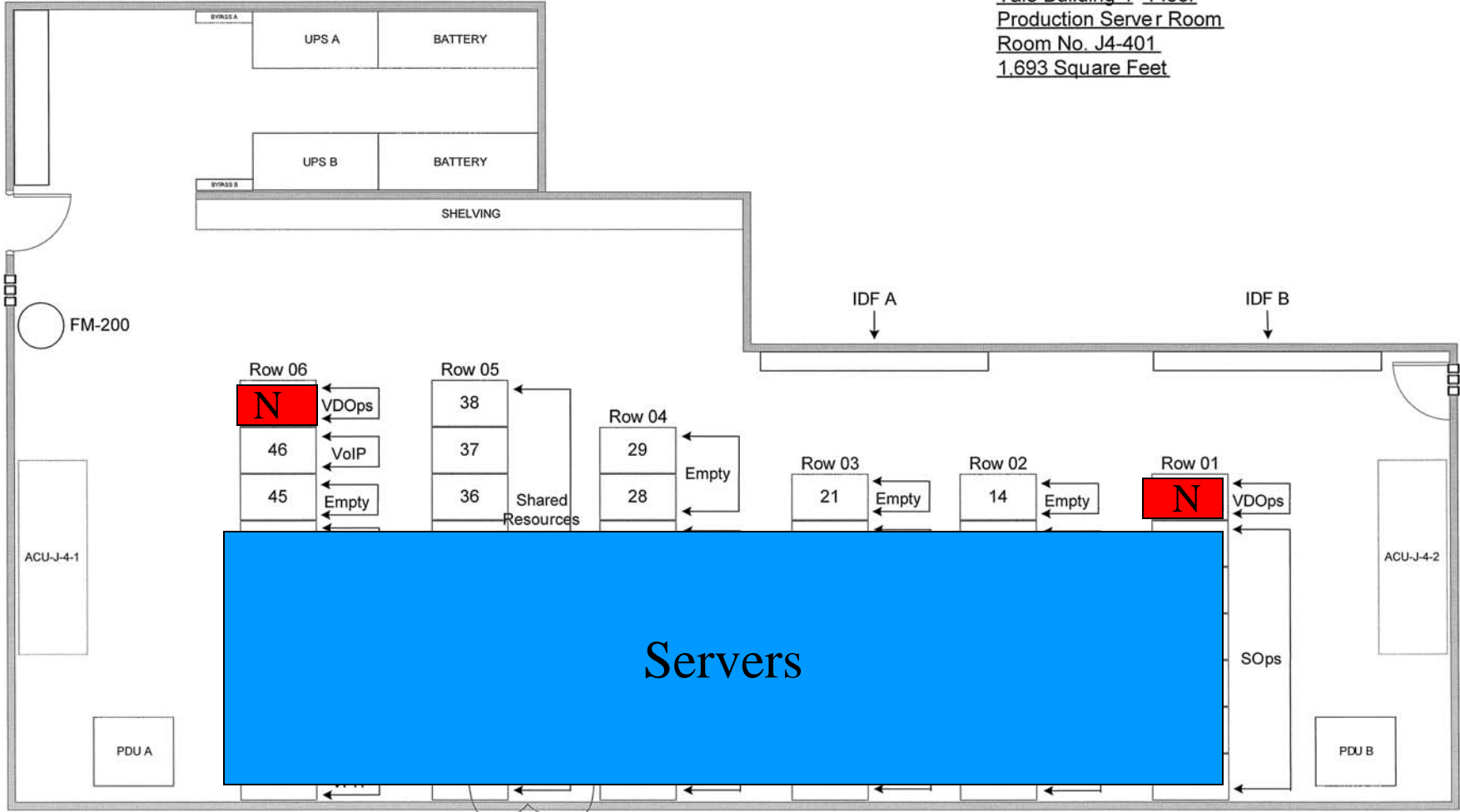
Information Technology
 Yale Building 4th Floor
 Production Server Room
 Room No. J4-401
 1,693 Square Feet



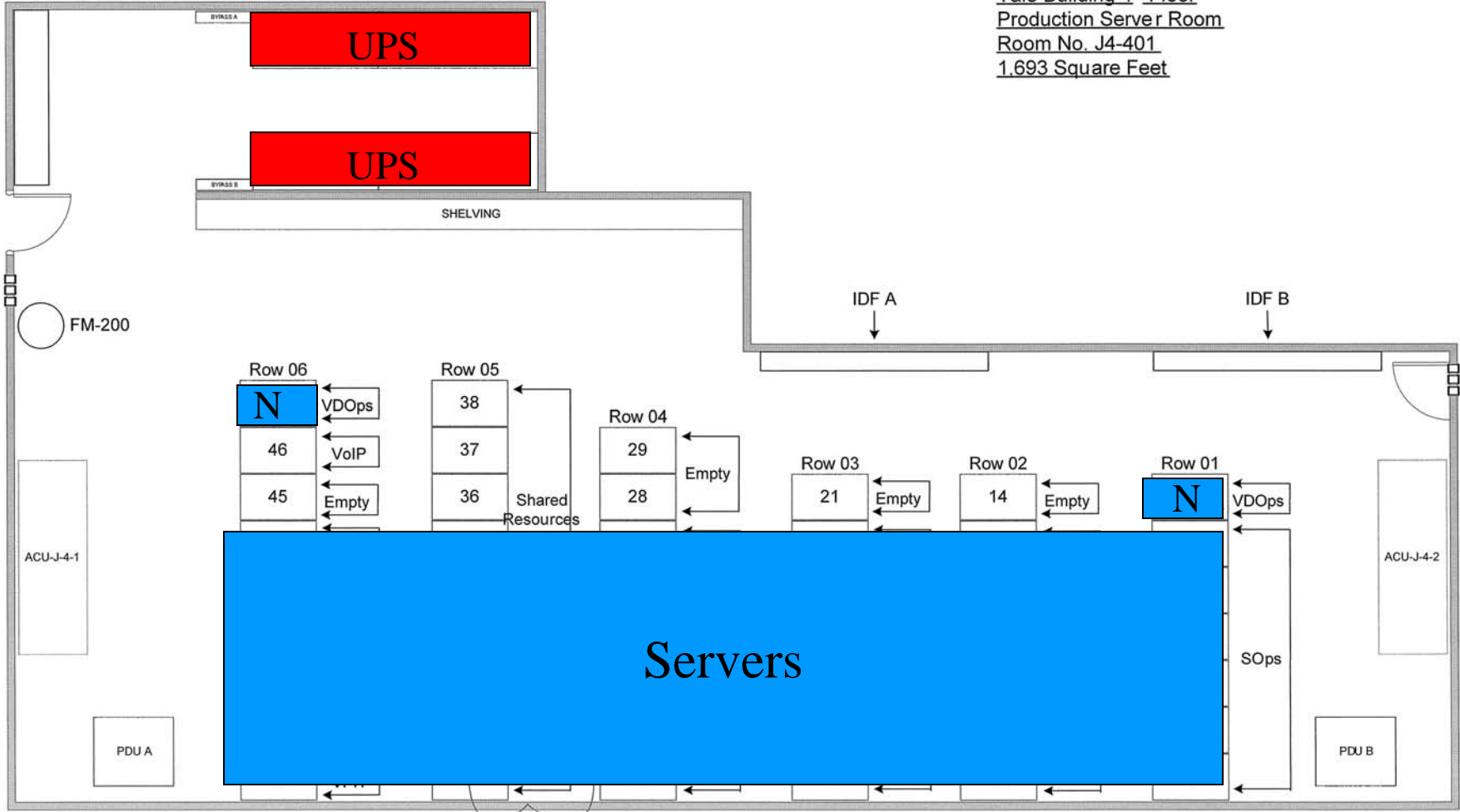
Information Technology
Yale Building 4th Floor
Production Server Room
Room No. J4-401
1,693 Square Feet



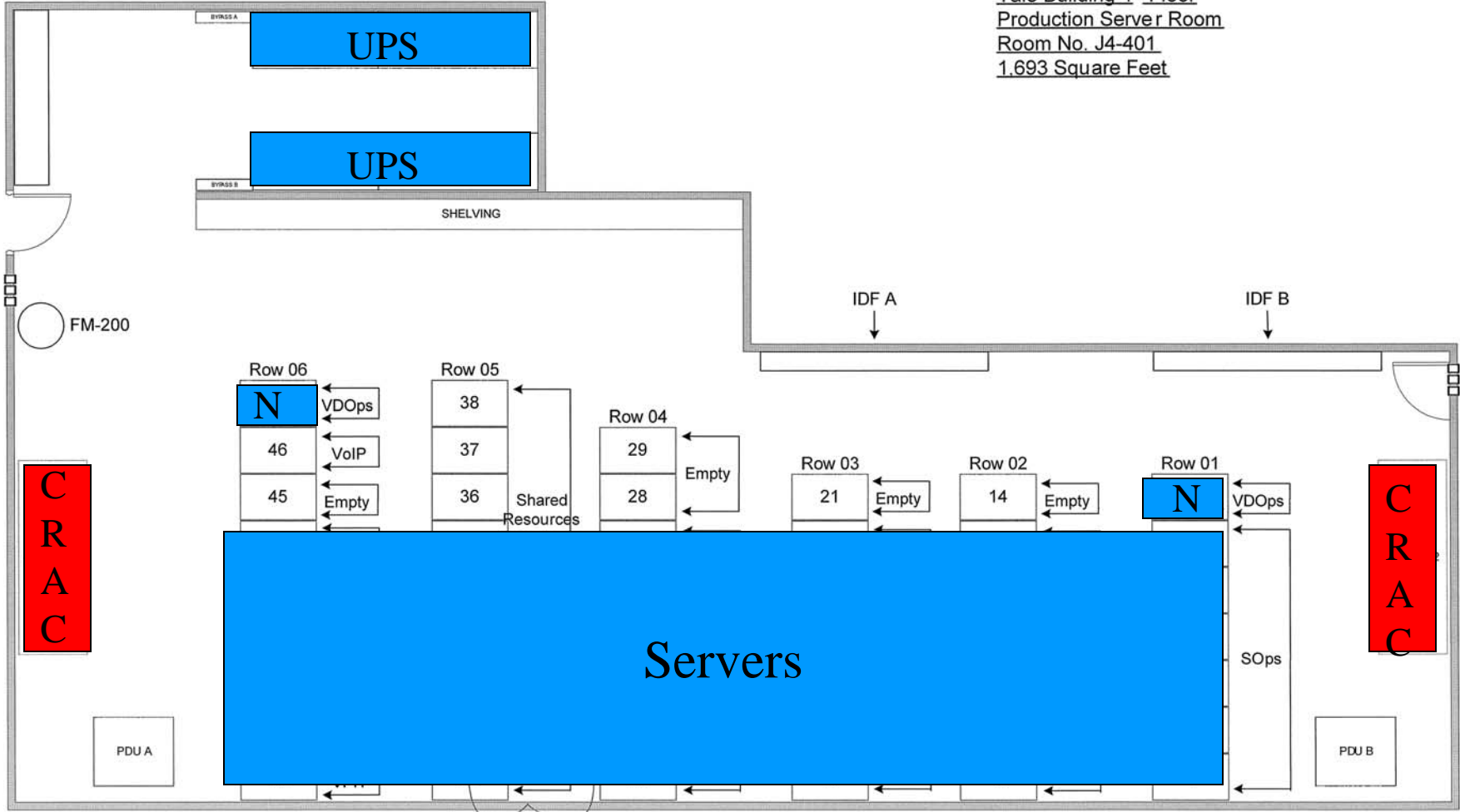
Information Technology
Yale Building 4th Floor
Production Server Room
Room No. J4-401
1,693 Square Feet



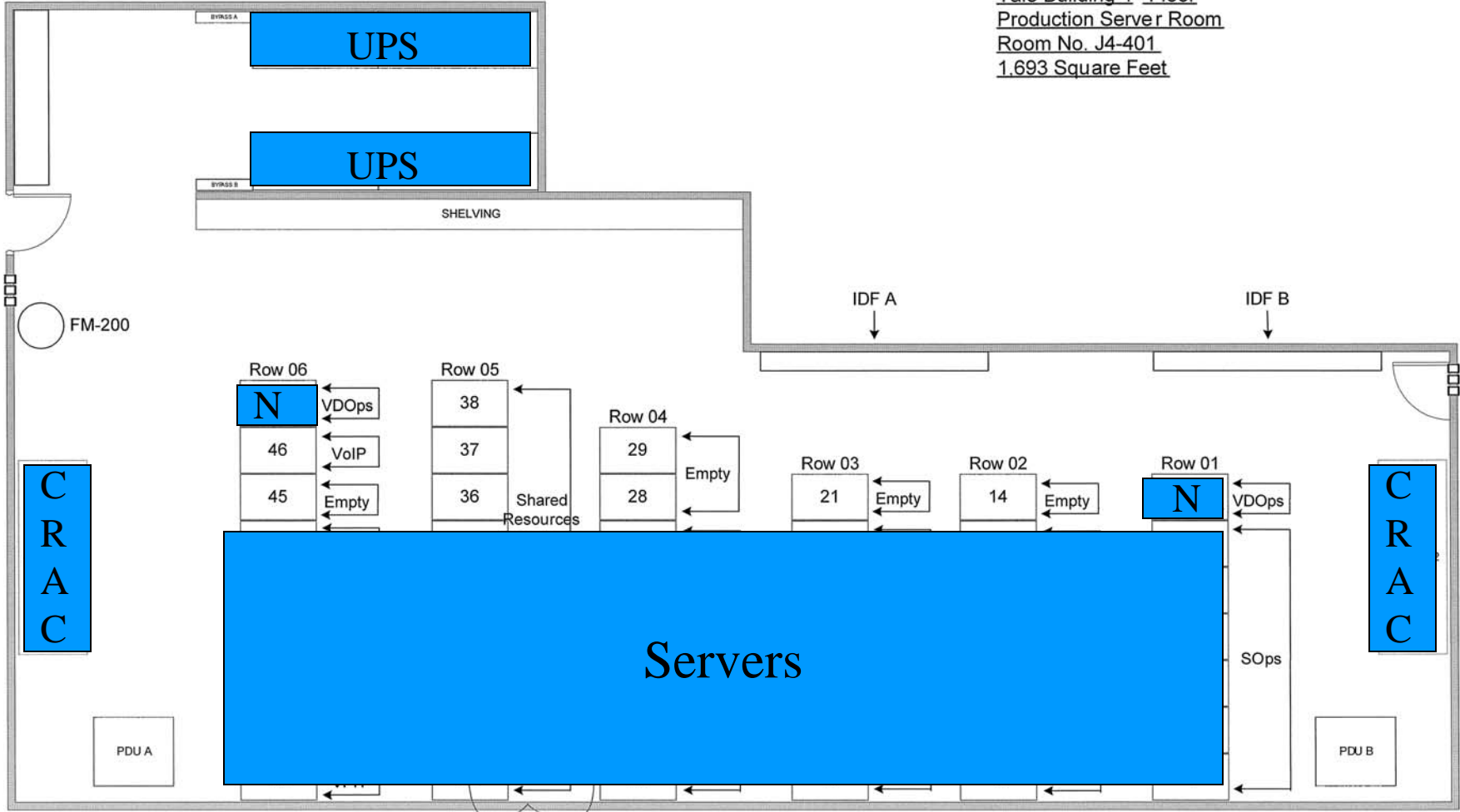
Information Technology
Yale Building 4th Floor
Production Server Room
Room No. J4-401
1,693 Square Feet



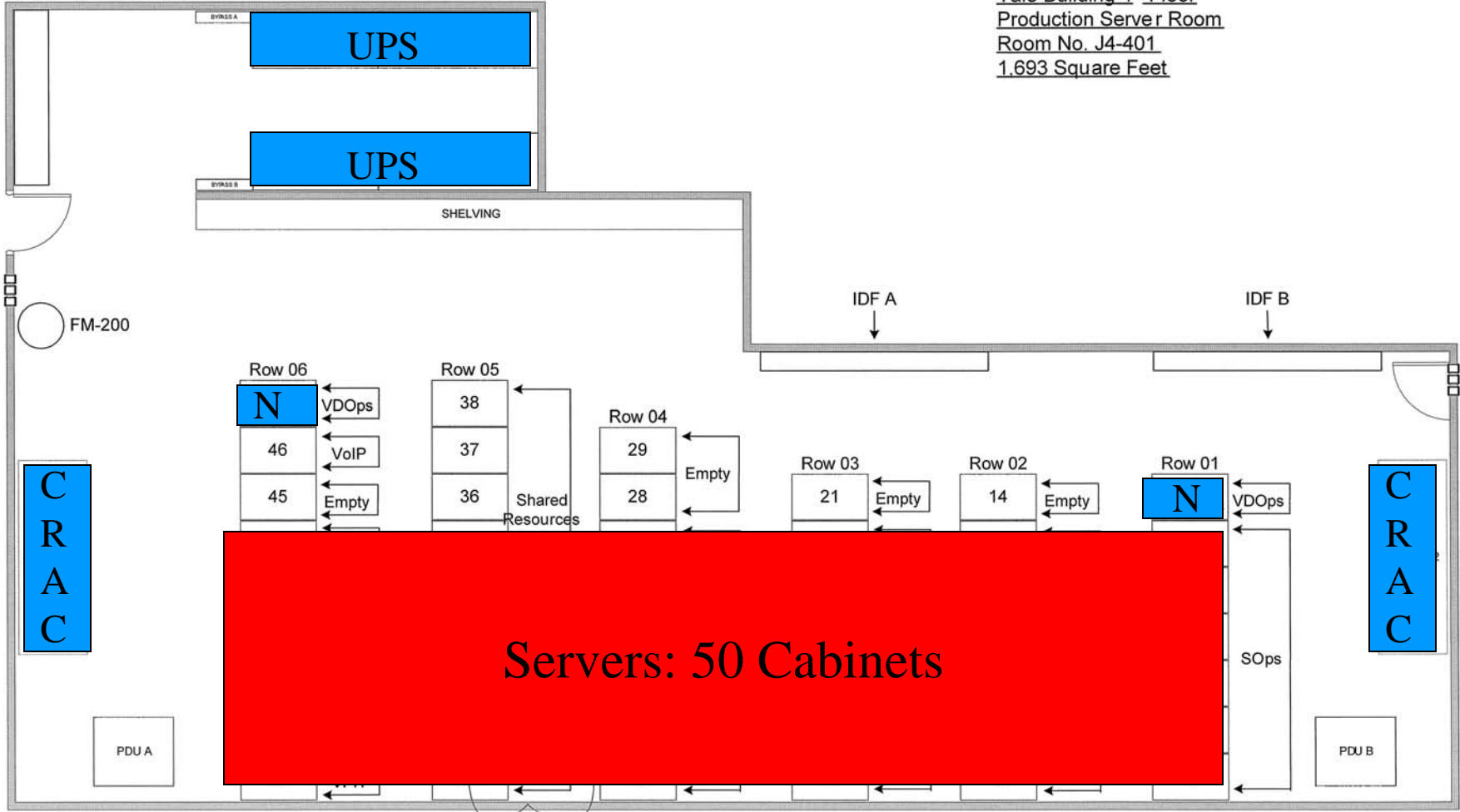
Information Technology
Yale Building 4th Floor
Production Server Room
Room No. J4-401
1,693 Square Feet



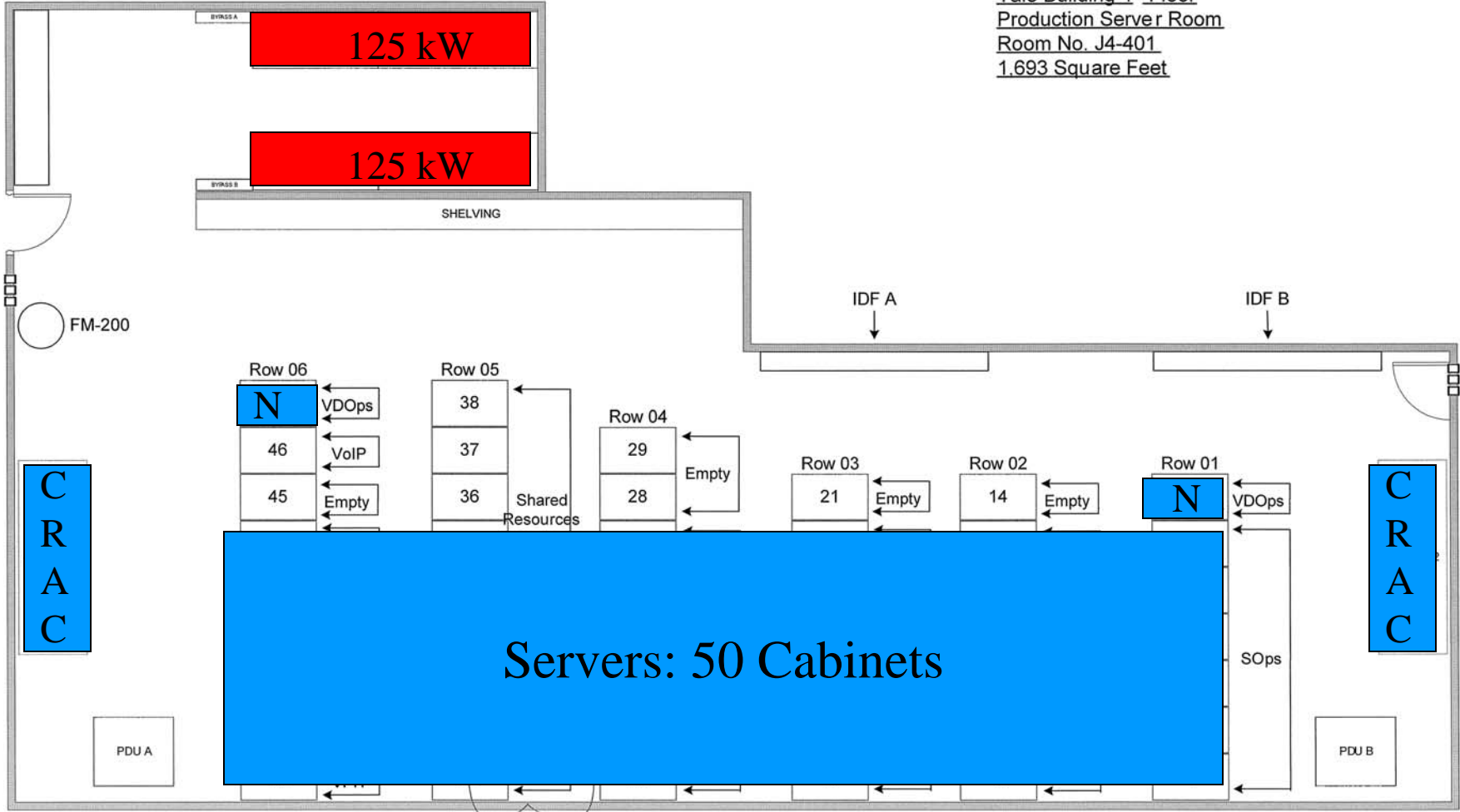
Information Technology
 Yale Building 4th Floor
 Production Server Room
 Room No. J4-401
 1,693 Square Feet



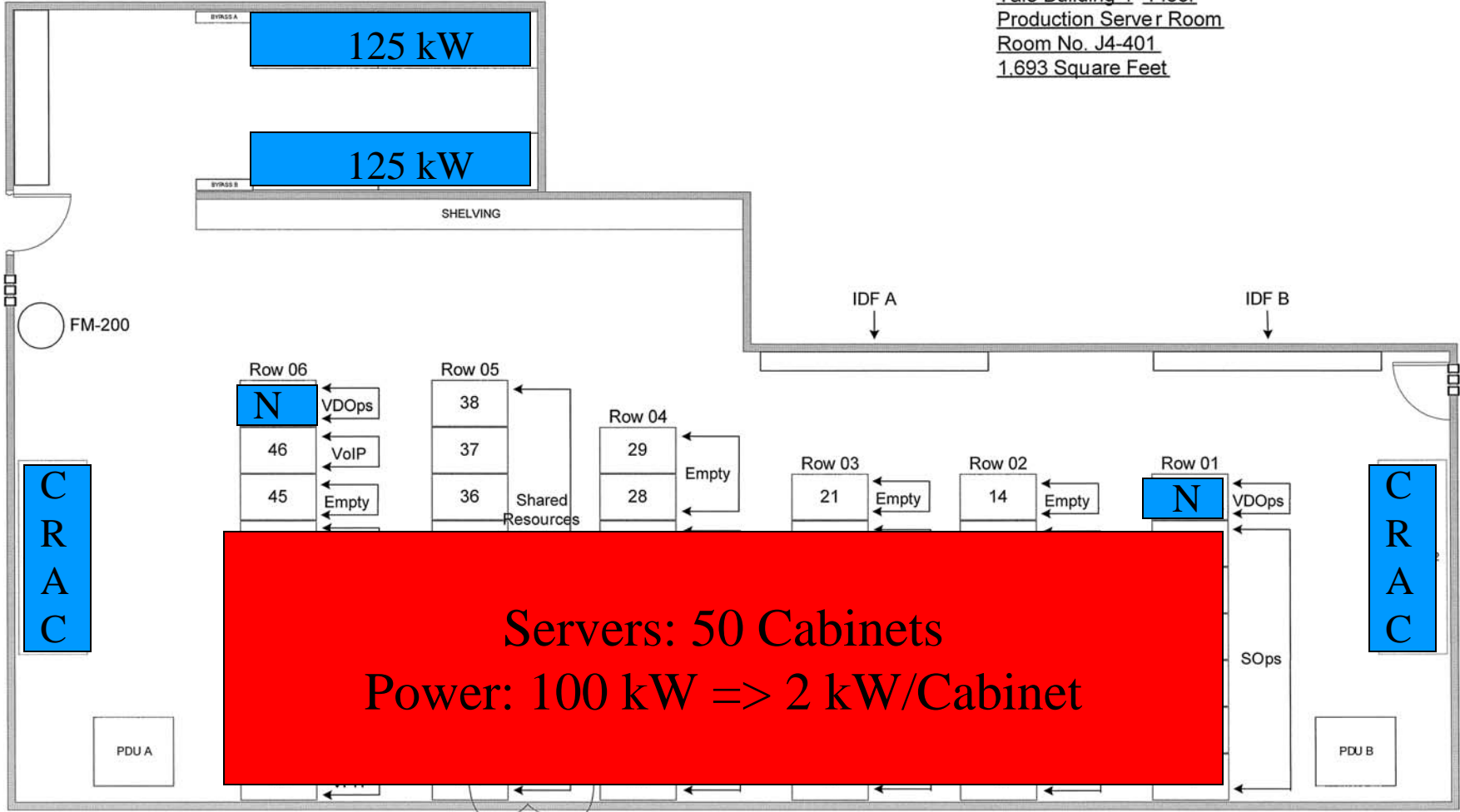
Information Technology
Yale Building 4th Floor
Production Server Room
Room No. J4-401
1,693 Square Feet



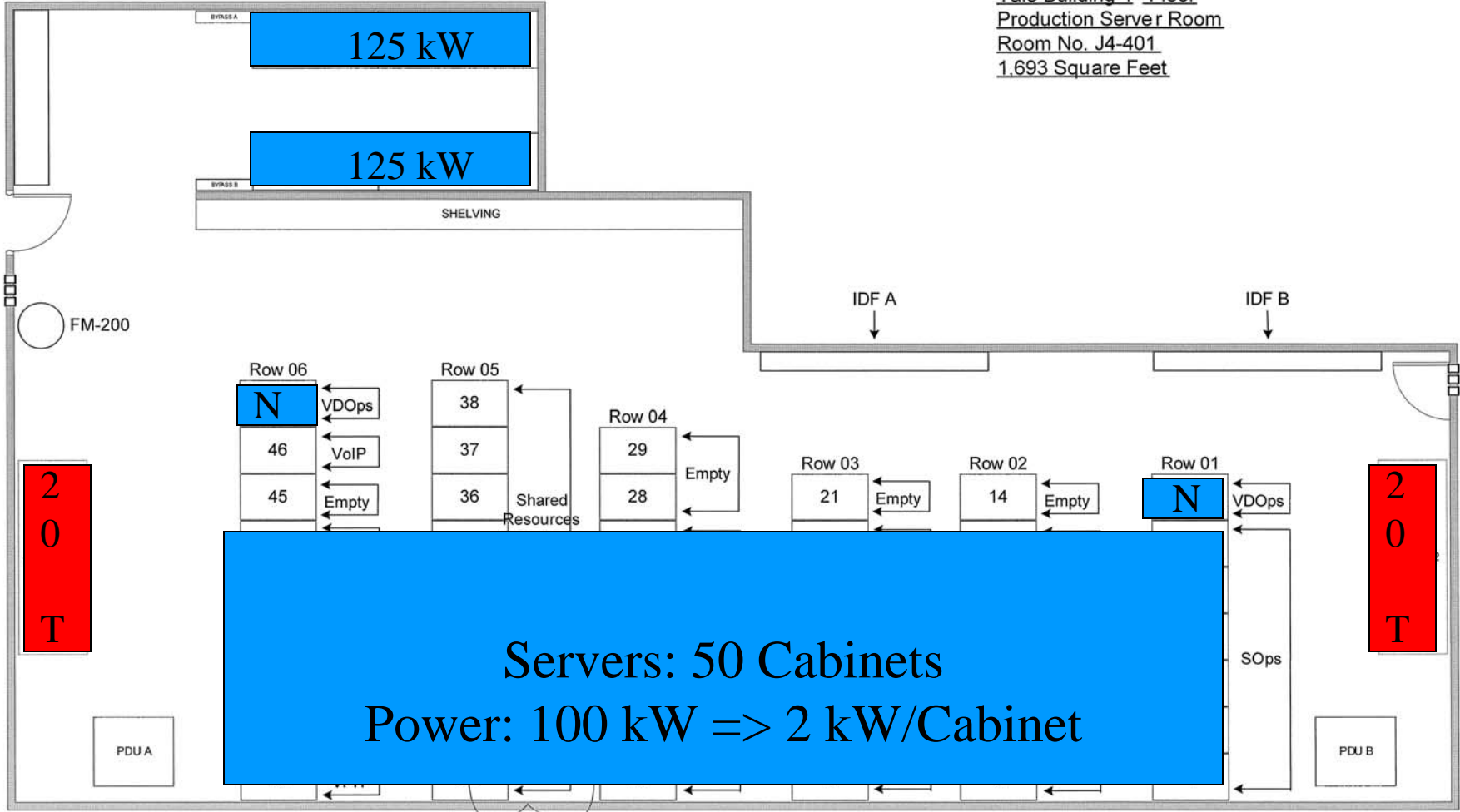
Information Technology
 Yale Building 4th Floor
 Production Server Room
 Room No. J4-401
 1,693 Square Feet



Information Technology
 Yale Building 4th Floor
 Production Server Room
 Room No. J4-401
 1,693 Square Feet

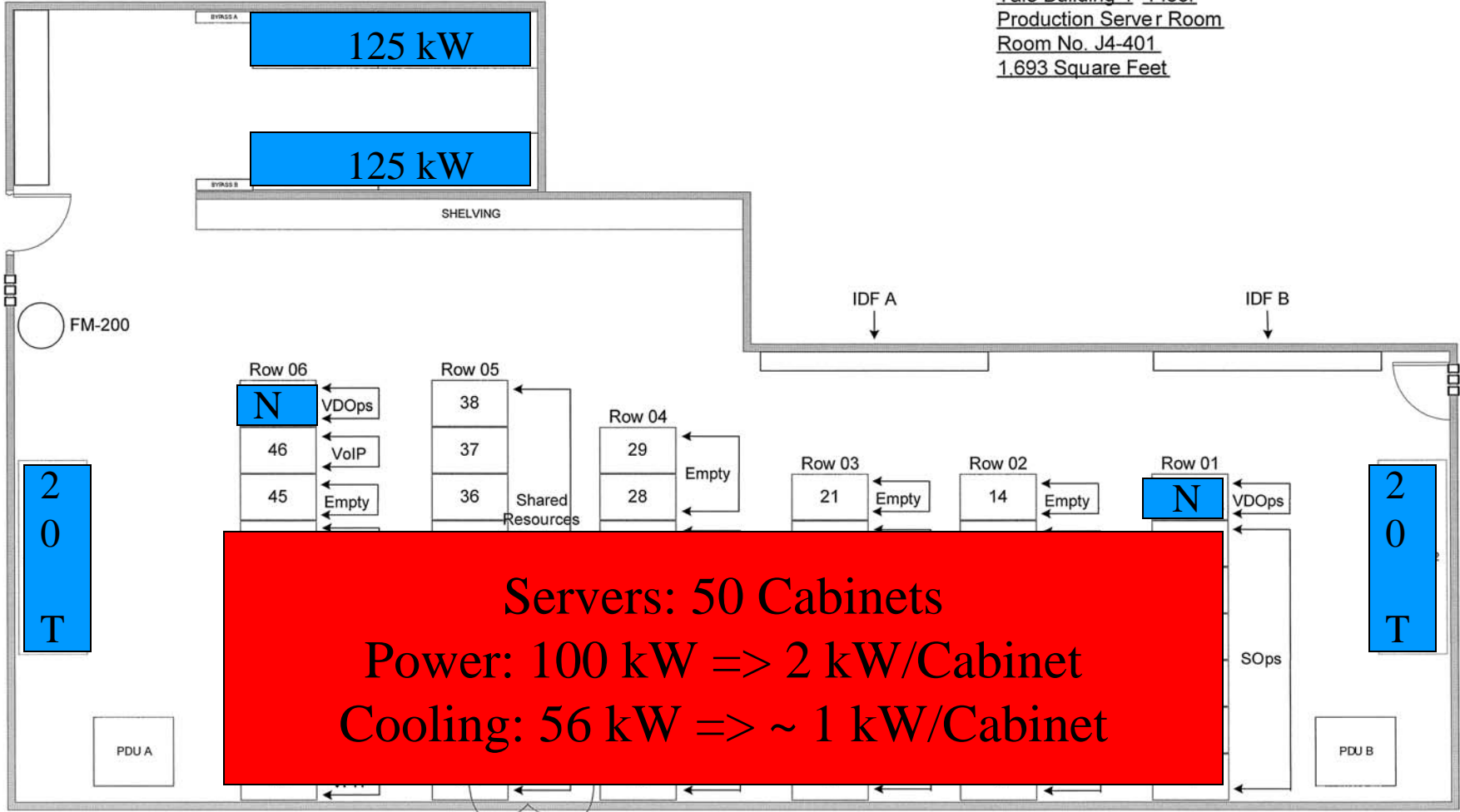


Information Technology
 Yale Building 4th Floor
 Production Server Room
 Room No. J4-401
 1,693 Square Feet



Servers: 50 Cabinets
Power: 100 kW => 2 kW/Cabinet

Information Technology
 Yale Building 4th Floor
 Production Server Room
 Room No. J4-401
 1,693 Square Feet



Servers: 50 Cabinets
Power: 100 kW => 2 kW/Cabinet
Cooling: 56 kW => ~ 1 kW/Cabinet

Take-Away Lessons:

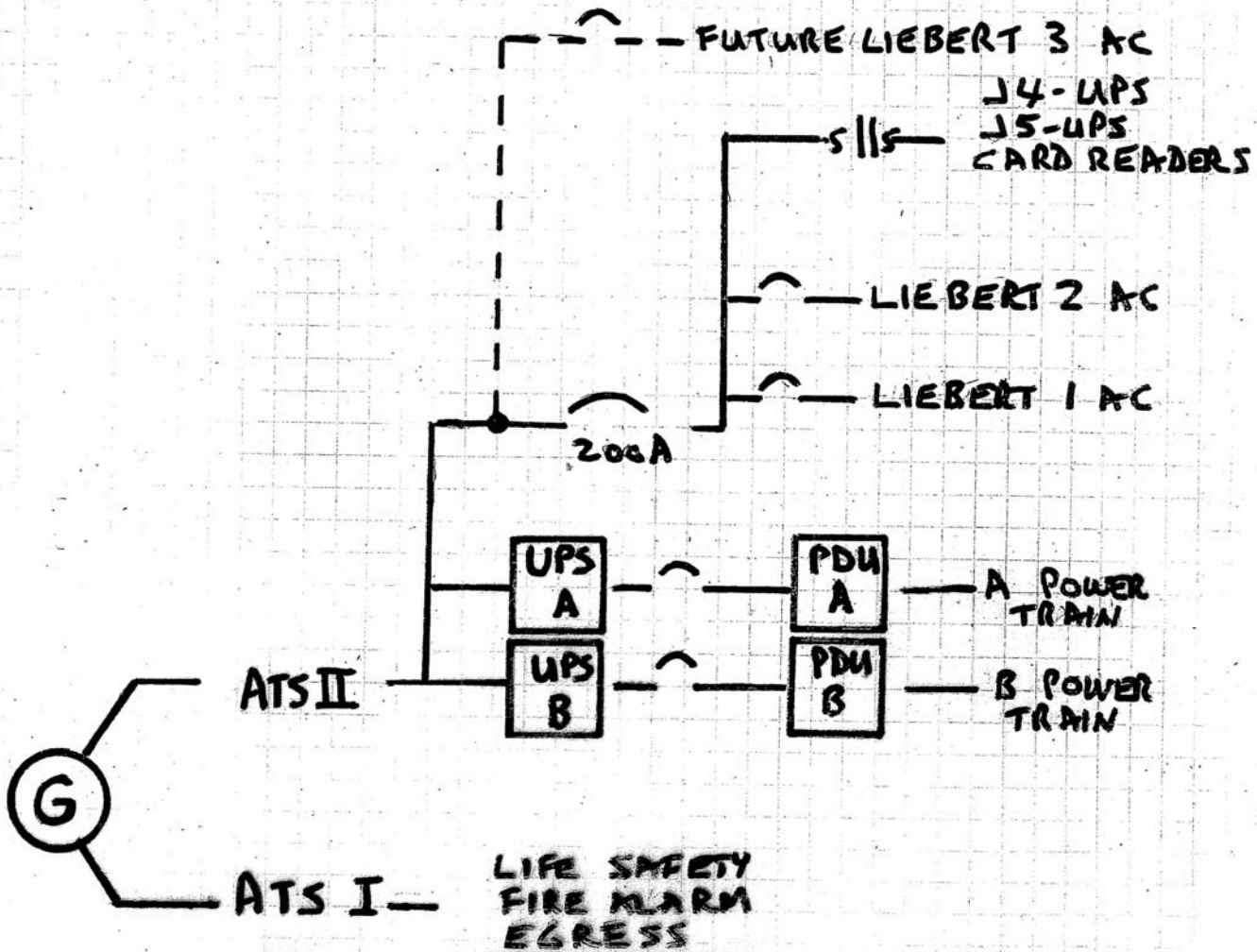
- **Do the math.**

Server Rooms: Power

NYC BRIITE – May 4, 2006

FRED HUTCHINSON
CANCER RESEARCH CENTER

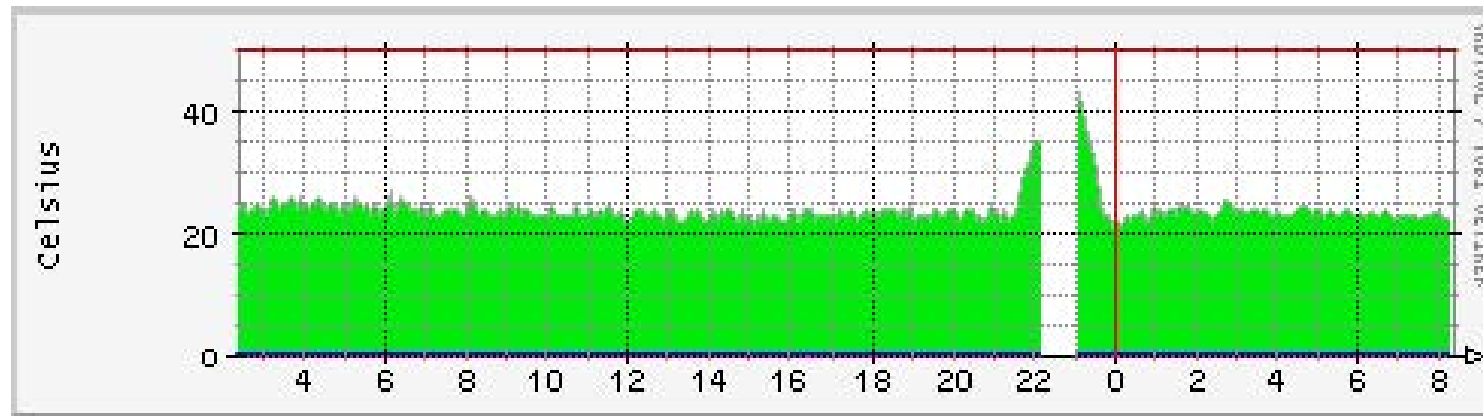
A LIFE OF SCIENCE



j4sr-a-ups Temperature

The statistics were last updated **Thursday, 02 February, 08:18:01 PST**

'Daily' Graph (5 Minute Average)



Max Temp 43.0 (86.0%) Average Temp 23.9 (47.8%) Current Temp 22.6 (45.2%)

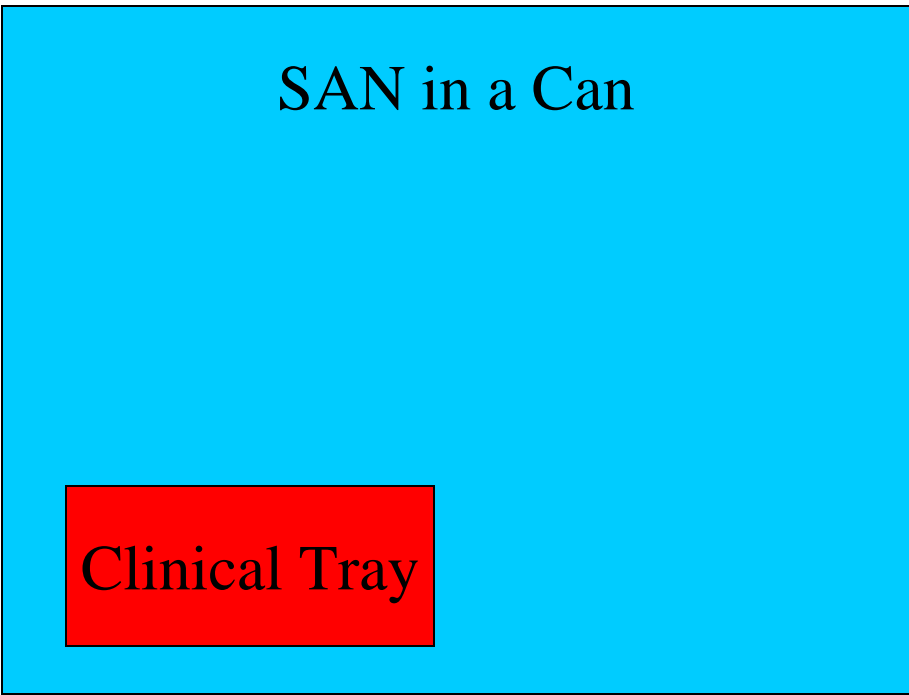
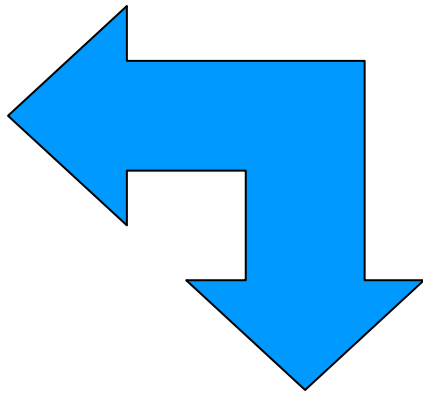
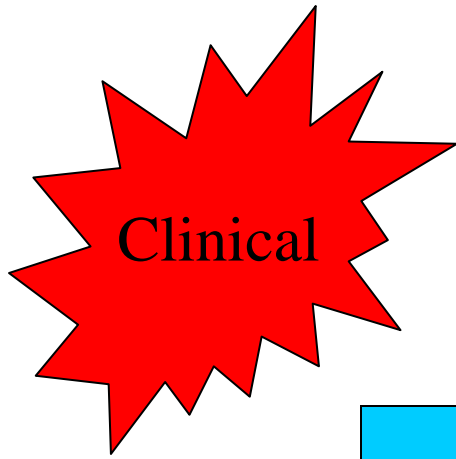
Take-Away Lessons:

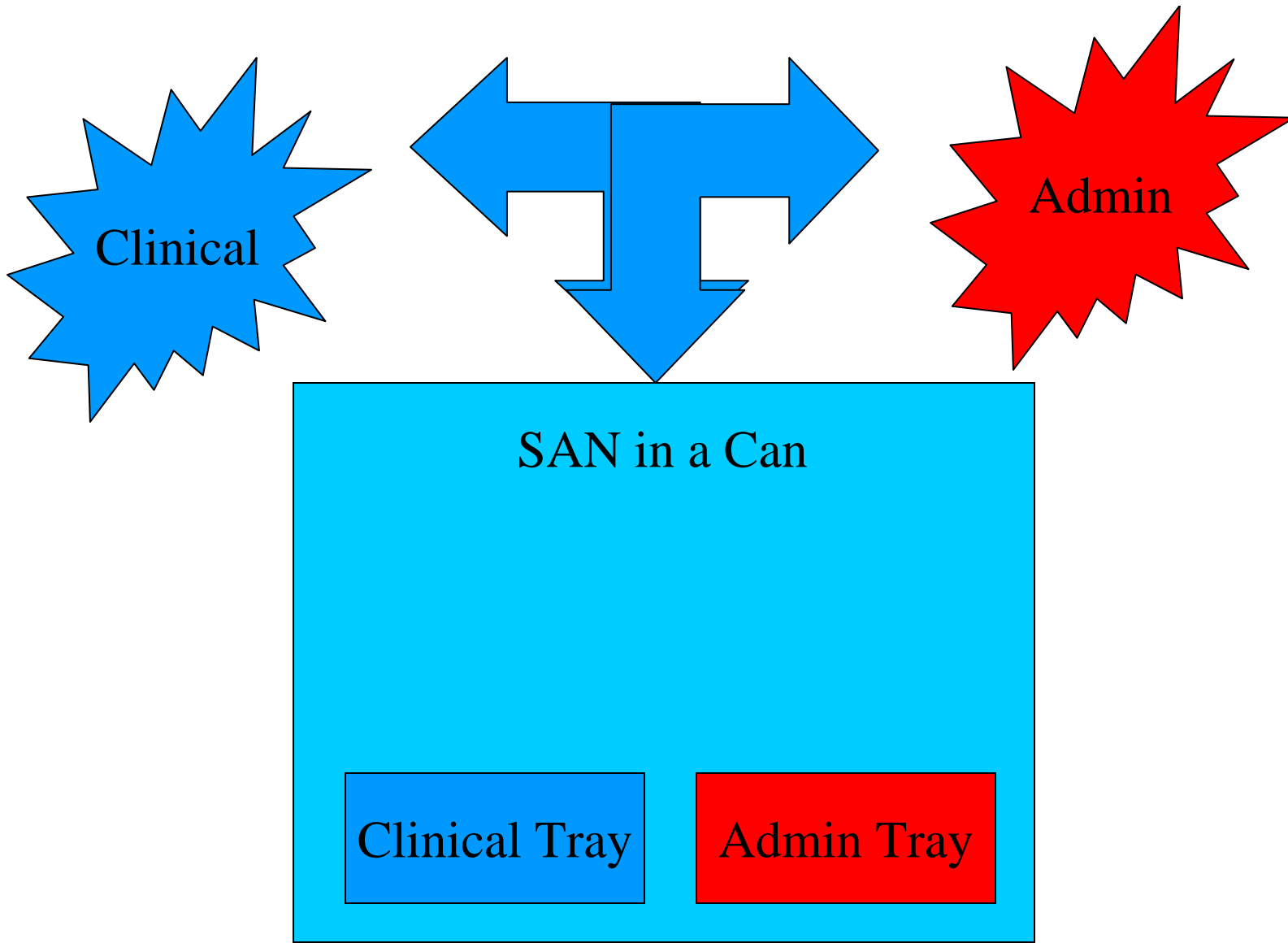
- Do the math.
- **Understand the architecture.**

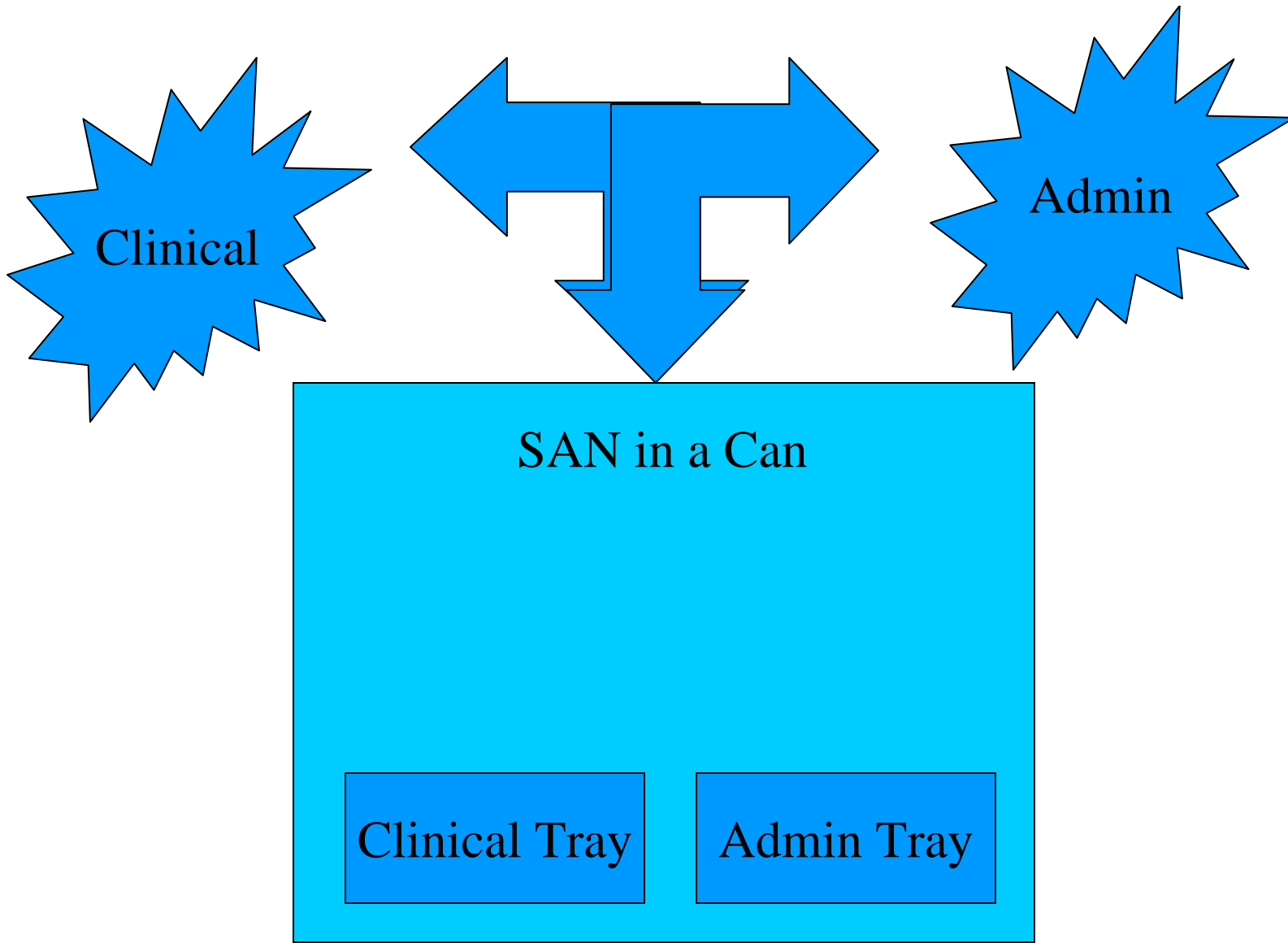
Storage

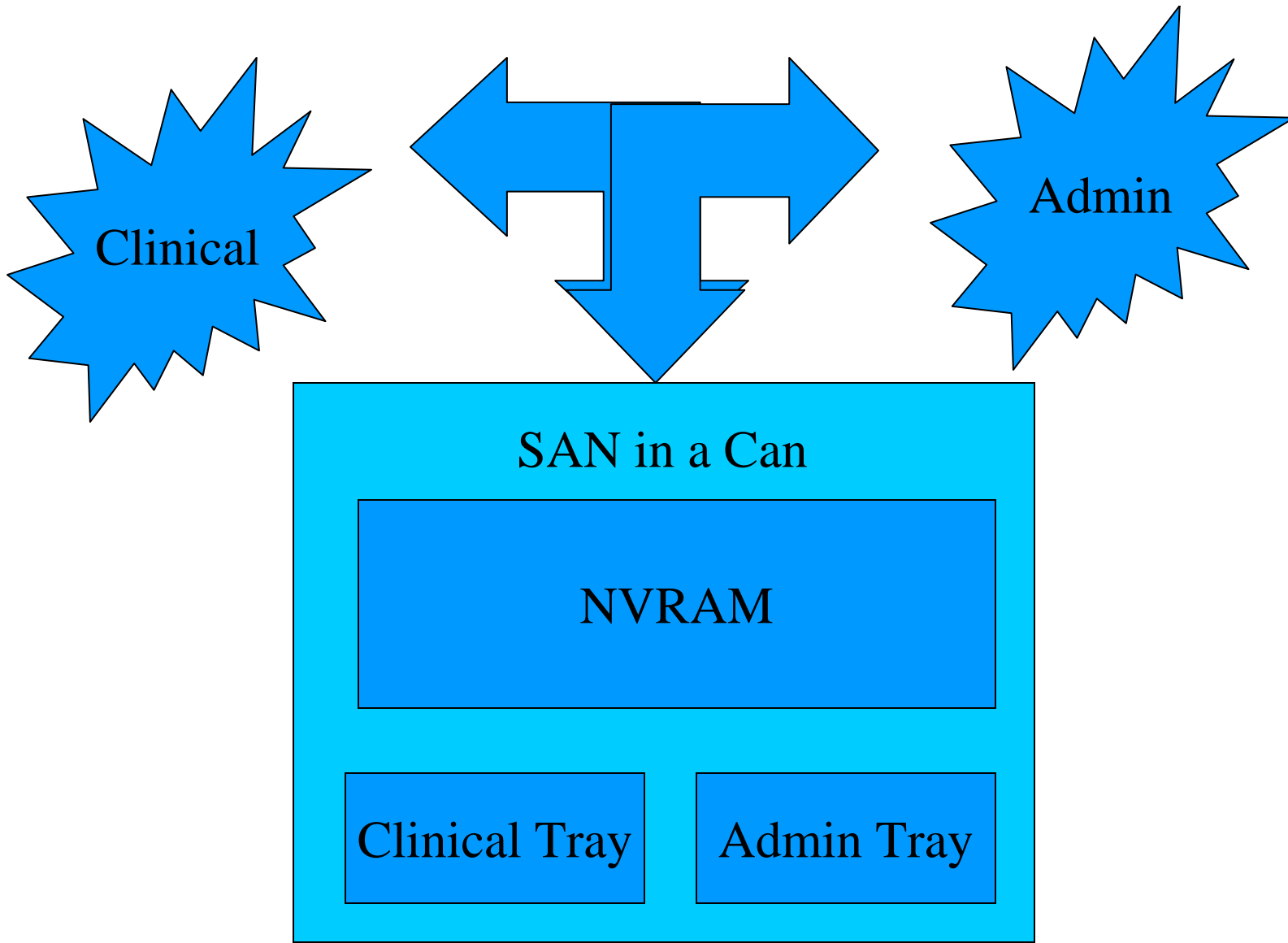
NYC BRIITE – May 4, 2006

FRED HUTCHINSON
CANCER RESEARCH CENTER
A LIFE OF SCIENCE









Take-Away Lessons:

- Do the math.
- **Understand the architecture.**

Take-Away Lessons:

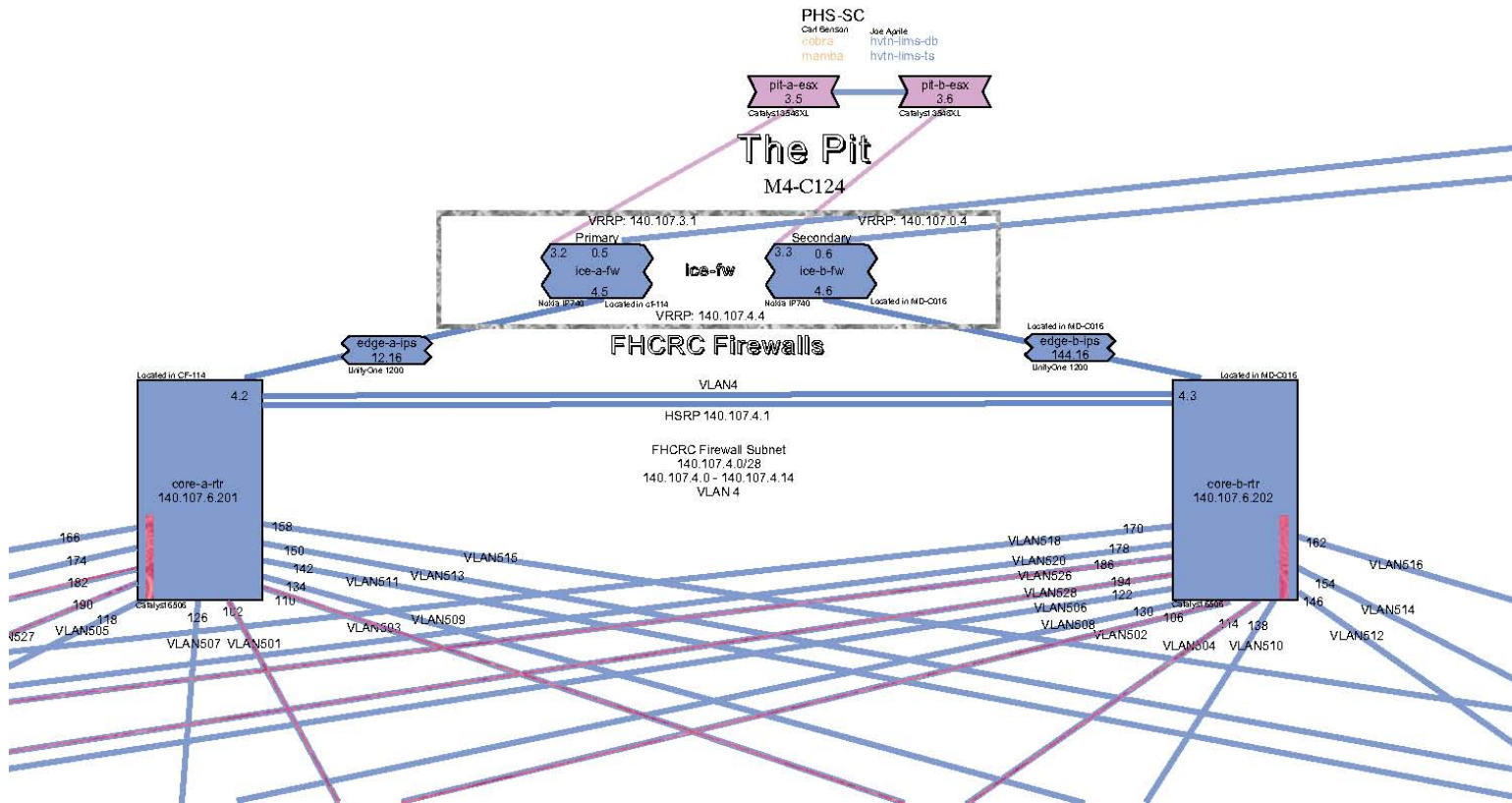
- **Do the math.**
- **Understand the architecture.**

Networks

NYC BRIITE – May 4, 2006

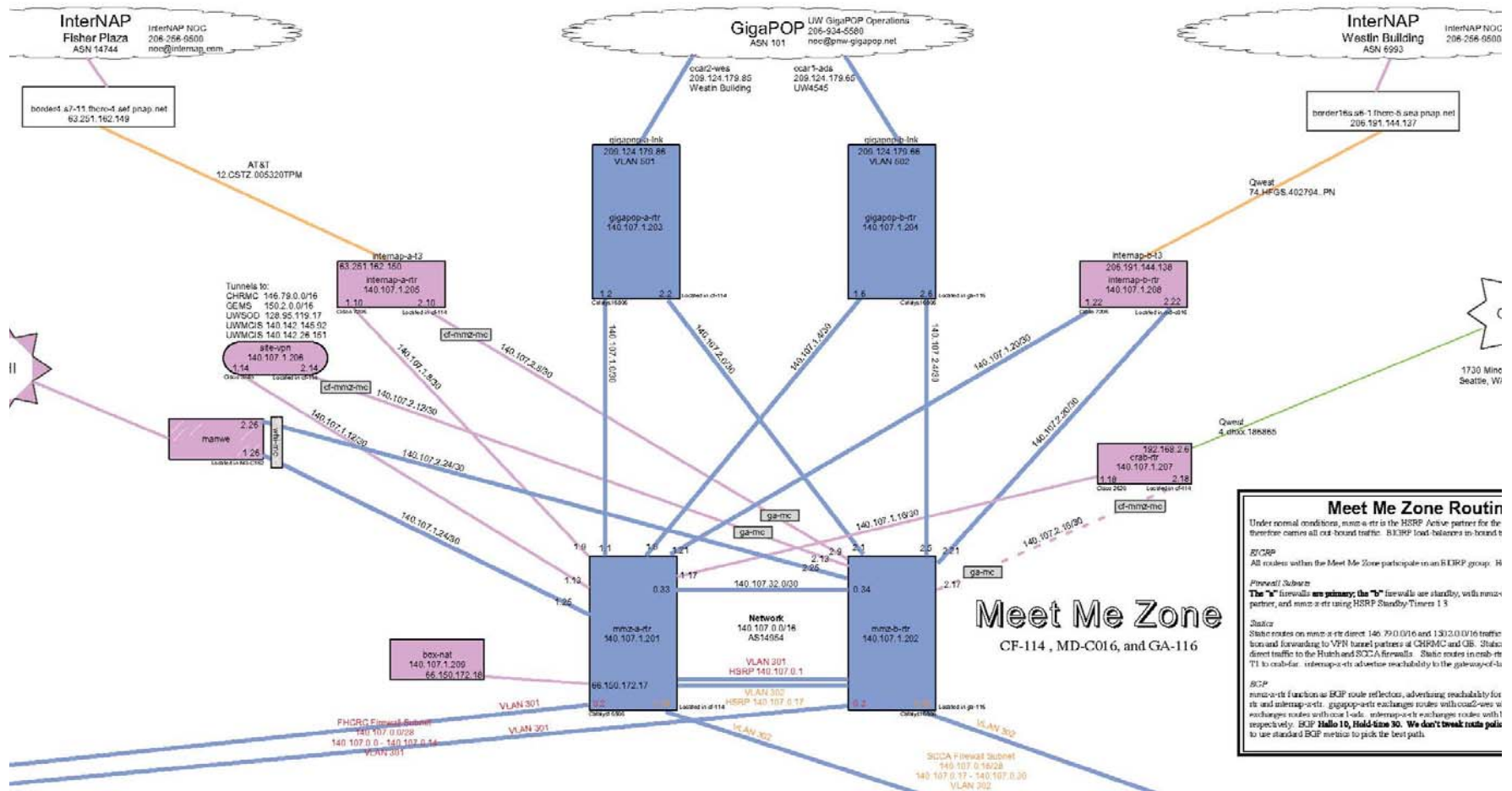
FRED HUTCHINSON
CANCER RESEARCH CENTER

A LIFE OF SCIENCE



Take-Away Lessons:

- Do the math.
- Understand the architecture.
- **Test regularly.**



NYC BRIITE – May 4, 2006

Take-Away Lessons:

- Do the math.
- Understand the architecture.
- Test regularly.
- **Don't touch it.**

Where do we go from here?

NYC BRIITE – May 4, 2006

FRED HUTCHINSON
CANCER RESEARCH CENTER

A LIFE OF SCIENCE

Where do we go from here?

- **We've learned some of the right things to do.**

Where do we go from here?

- **We've learned some of the right things to do.**
- **It remains to be seen if we will have the discipline to do them.**

Questions?

NYC BRIITE – May 4, 2006

FRED HUTCHINSON
CANCER RESEARCH CENTER

A LIFE OF SCIENCE